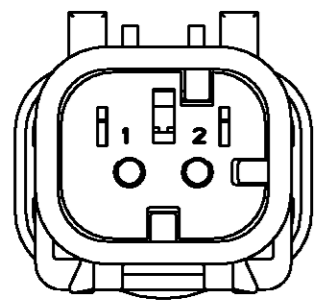
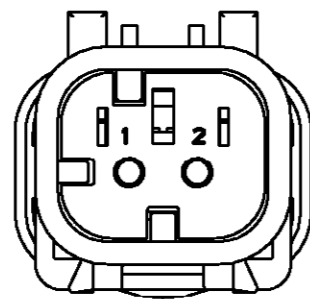


THIS DRAWING IS UNPUBLISHED. RELEASED FOR PUBLICATION
 © COPYRIGHT 20 BY TYCO ELECTRONICS CORPORATION. ALL RIGHTS RESERVED.

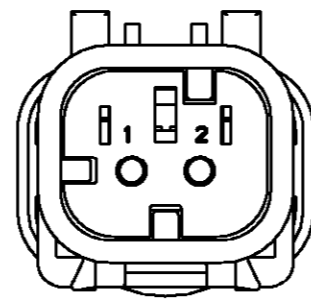
LOC	DIST	REVISIONS					
		P	LTR	DESCRIPTION	DATE	DWN	APVD
GE	00		D	REV PER ECR-05-007231	24OCT2005	VS	RS



776428-2
SCALE 2:1



776428-3
SCALE 2:1

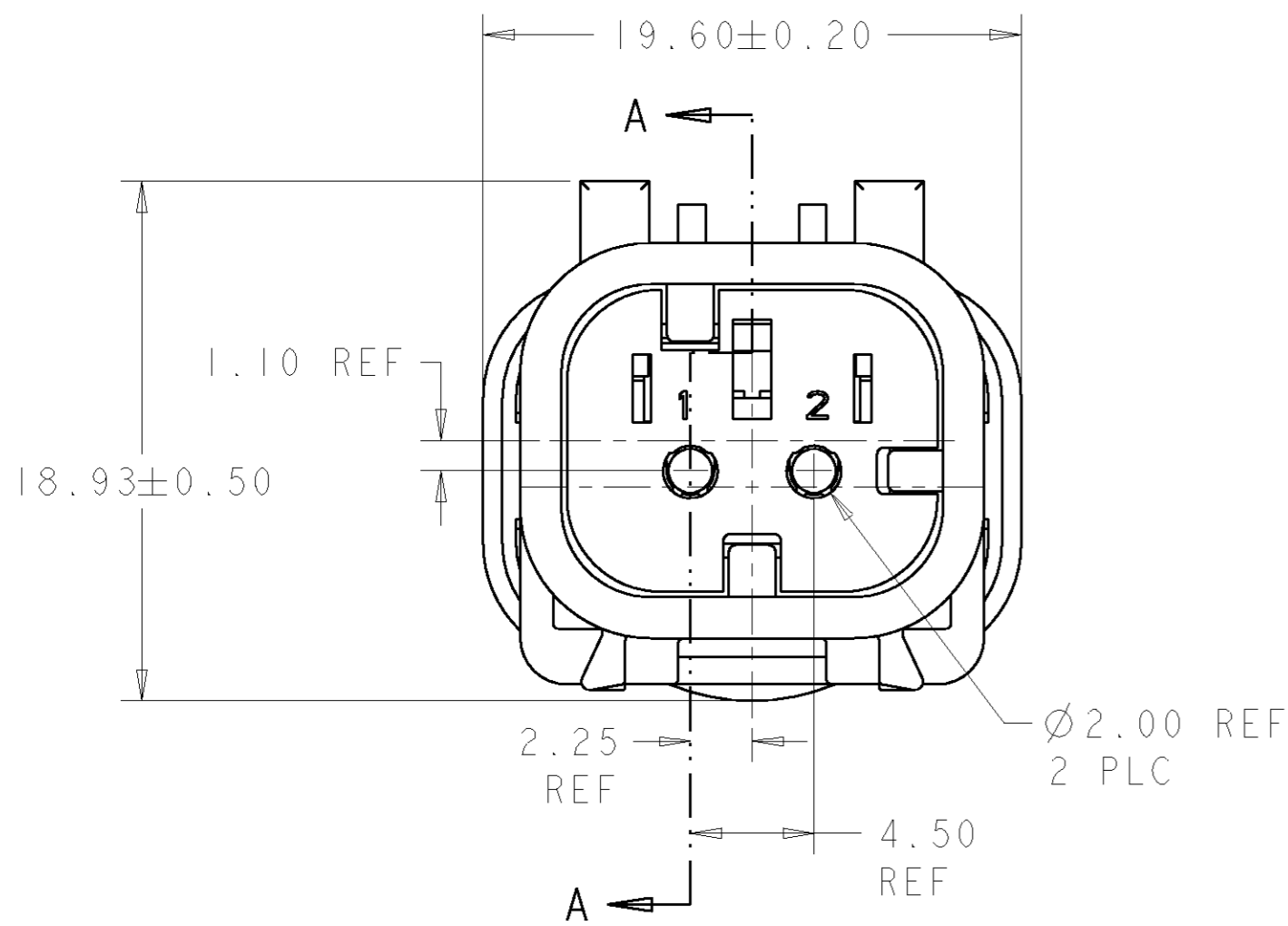


776428-4
SCALE 2:1

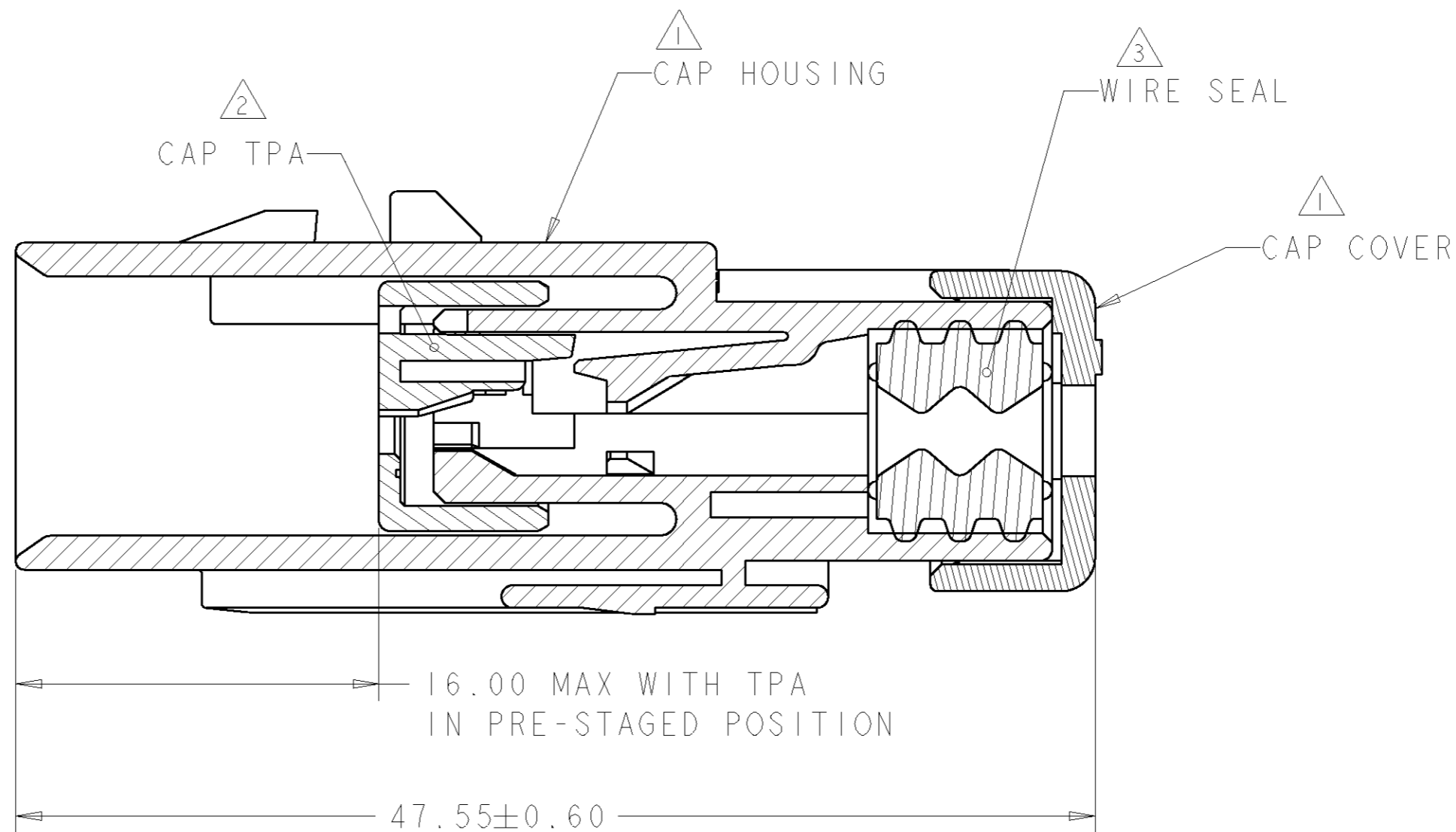
1 MATERIAL: 15% GLASS FILLED THERMOPLASTIC
COLOR: BLACK

2 MATERIAL: 15% GLASS FILLED THERMOPLASTIC
COLOR: (SEE TABLE)

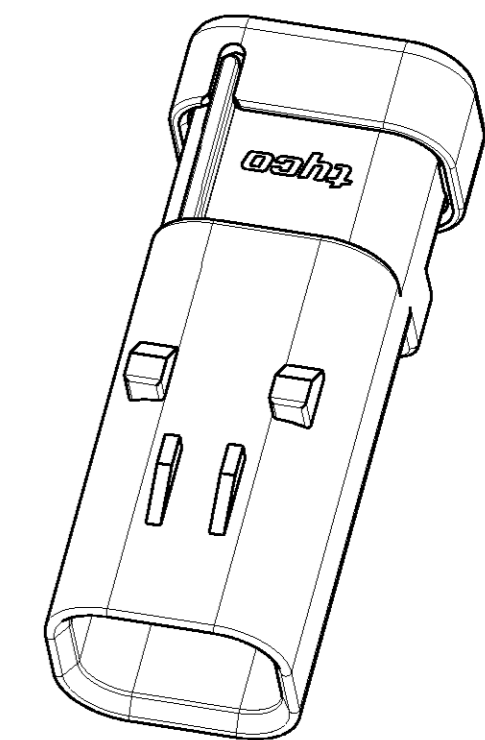
3 MATERIAL: SILICONE
COLOR: RED



776428-1 SHOWN



SECTION A-A



SCALE 2:1

GREEN	776428-4
YELLOW	776428-3
GRAY	776428-2
RED	776428-1
TPA COLOR	PART NUMBER

THIS DRAWING IS A CONTROLLED DOCUMENT FOR TYCO ELECTRONICS CORPORATION IT IS SUBJECT TO CHANGE AND THE CONTROLLING ENGINEERING ORGANIZATION SHOULD BE CONTACTED FOR THE LATEST REVISION.		DWN Y. PETERSON 22FEB00	tyco AMP Incorporated	
DIMENSIONS: mm		CHK R. GREINER 11DEC01	Harrisburg, PA 17105-3608	
TOLERANCES UNLESS OTHERWISE SPECIFIED:		APVD M. TRULLI 11DEC01	NAME CAP ASSEMBLY, 2 POSITION, SINGLE ROW, AMPSEAL 16	
0 PLC ±	1 PLC ±	PRODUCT SPEC	SIZE	CAGE CODE
2 PLC ±	3 PLC ±	APPLICATION SPEC	A2	00779
4 PLC ±	ANGLES ±	114-13065	DRAWING NO	776428
FINISH		WEIGHT	RESTRICTED TO	
		CUSTOMER DRAWING	SCALE	4/1
			SHEET	1 OF 1
			REV	D

THIS AMP PROPRIETARY INFORMATION IS CONFIDENTIAL AND IS DISCLOSED TO YOU ON CONDITION THAT NO FURTHER DISCLOSURE IS MADE BY YOU TO ANYONE OTHER THAN AMP PERSONNEL WITHOUT WRITTEN AUTHORIZATION FROM AMP INCORPORATED, HARRISBURG, PA.